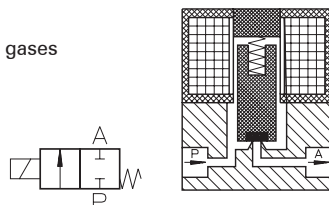


Type MA 223

2-way solenoid valve
direct actuated, NC
(normally closed)



Application
Neutral liquids, gases
and vapors



Type/ Order No.	Orifice [mm]	Port size	Pressure range [bar]		kv-value [m³/h]	Weight [kg]
			AC	DC		
MA 223-002	4,0	G 1/8	0 - 7	0 - 7	0,39	0,320
MA 223-003	4,0	G 1/8	0 - 7	0 - 7	0,39	0,320

Sealing material: **P** (NBR) **E** (EPDM) **V** (FPM)

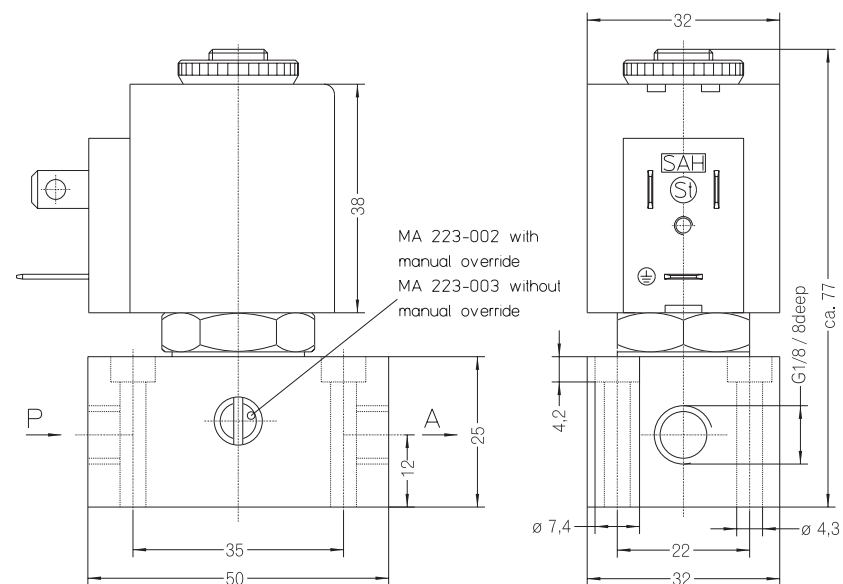
Body material: Aluminum (anodized)
 Inner parts: Stainless steel (1.4105)
 Mounting direction: Free, preferred upwards
 Max. ambient temp.: 50 °C
 Viscosity of the medium: max. 21 mm²/s (3 °E)
 Static pressure: max. 30 bar
 Standard voltage: DC: 24, 12 V
 AC: 230 V, 115 V, 42 V,
 24 V, 12 V, (50 or 60 Hz)

Power consumption: 15 VA / 11 W
 Voltage tolerance: -15%... +10%
 Duty cycle: 100%
 Operating frequency: max. 360/min
 Degree of Protection: IP 54 (EN 60529)

Other configurations upon request

120

staiger



The right to modification is reserved

121

Dimensions in mm